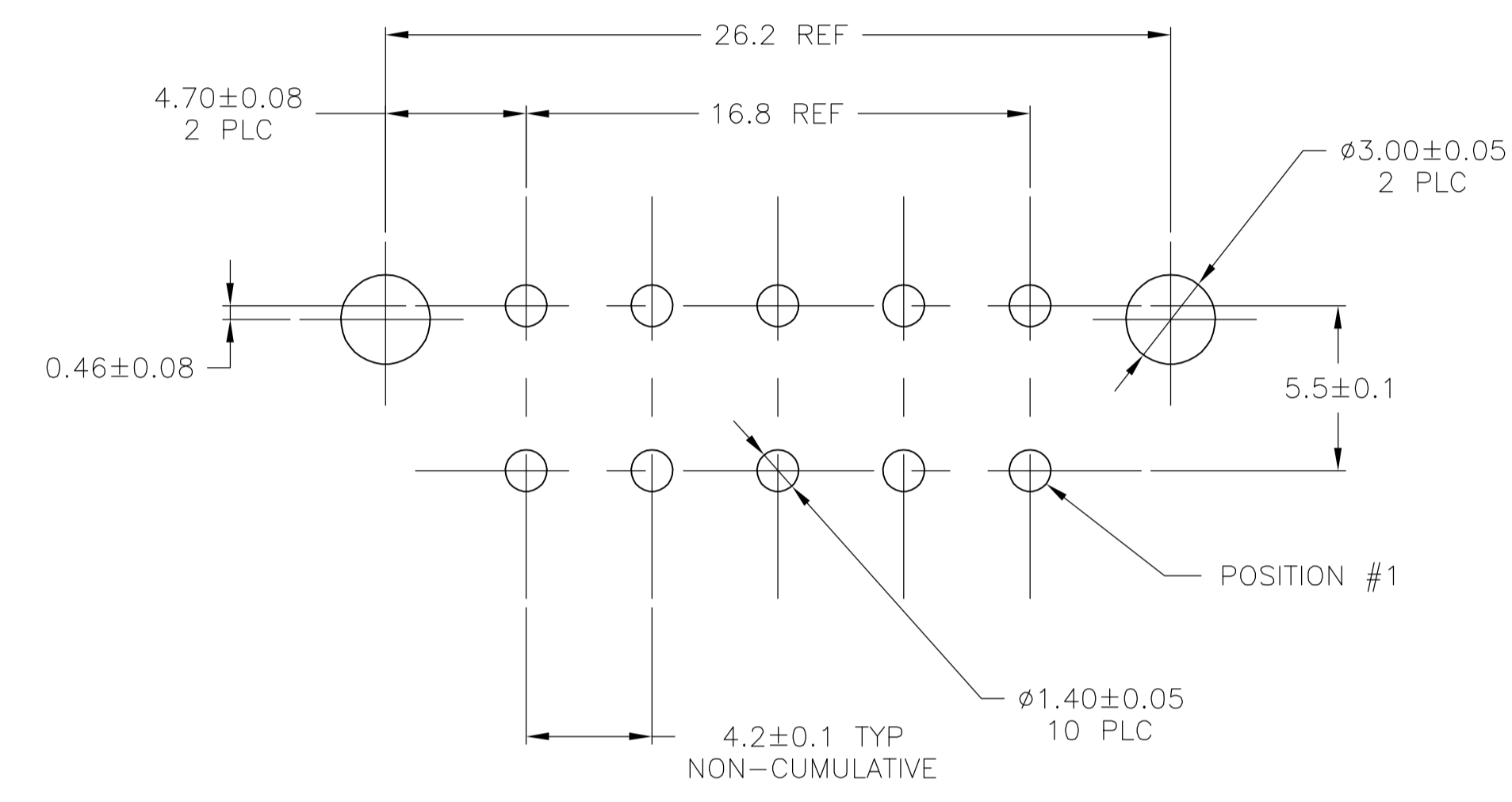
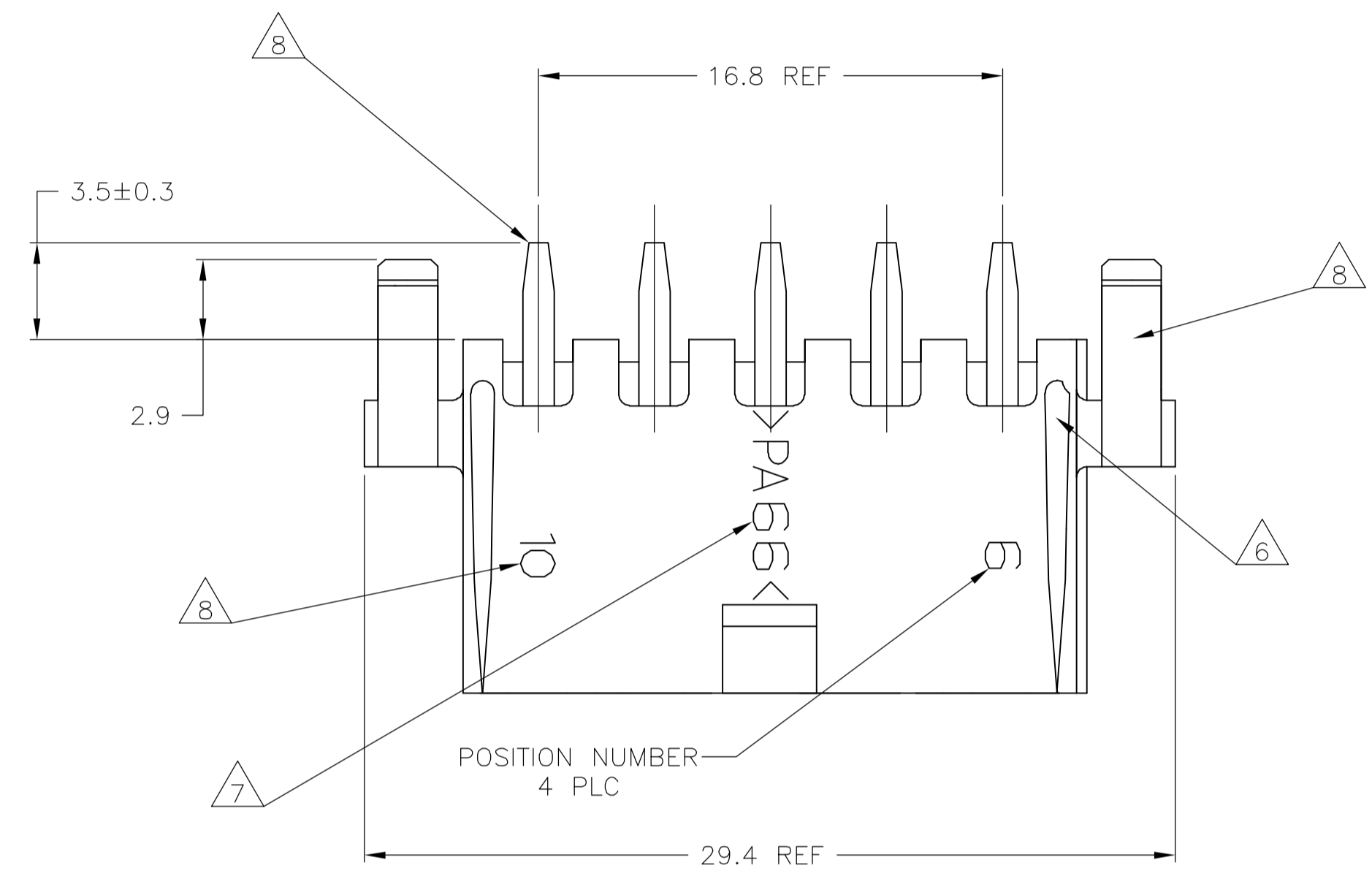
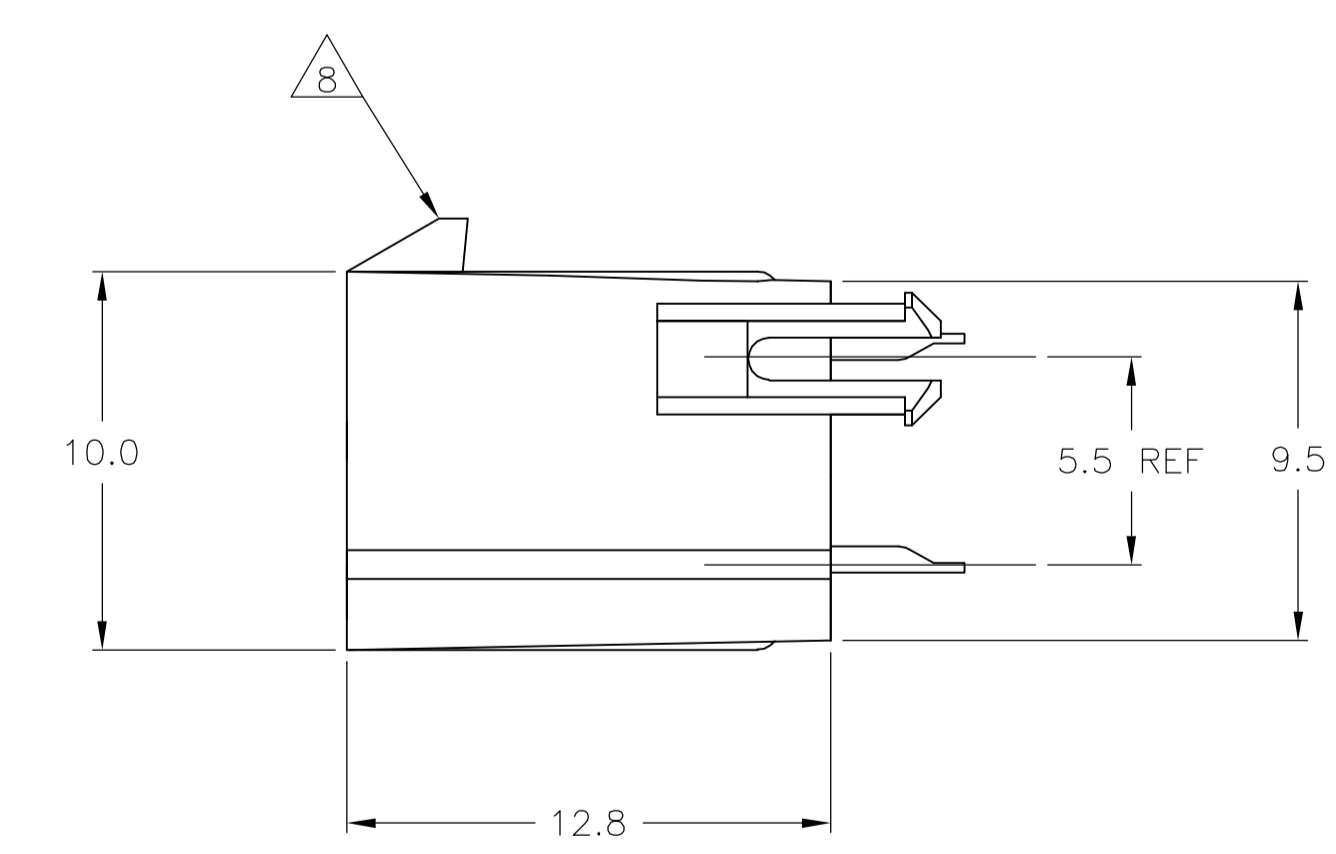
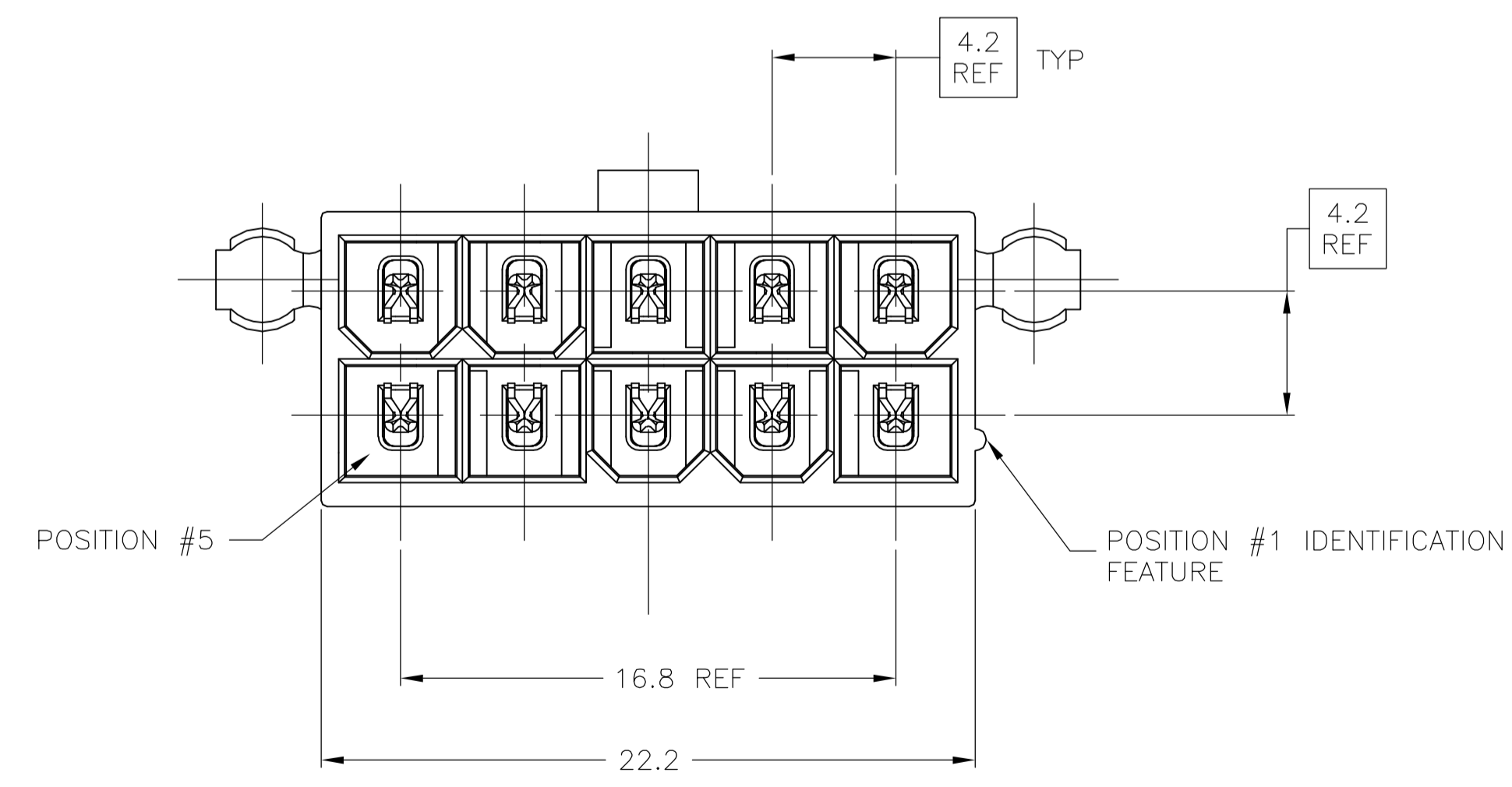


- 1 MATERIAL:
HOUSING: NYLON, UL94V-2 (COLOR - NATURAL, COLOR OF PARTS MAY VARY).
CONTACTS: 0.25 THK COPPER ALLOY.
- 2 CONTACT FINISH: 0.003 MIN THK TIN-LEAD OVER 0.00127 MIN THK NICKEL OVER ENTIRE CONTACT.
- 3 CONTACT FINISH: 0.00076 MIN THK GOLD PLATE ON PIN MATING SURFACE, 0.003 MIN THK TIN-LEAD PLATE ON SOLDER TAIL, ALL OVER 0.00127 MIN THK NICKEL BASE PLATE.
- 4. SOLDER TAIL MEETS AMP SOLDERABILITY SPECIFICATION 109-11-2.
- 5. MATES WITH SIMILARLY PLATED AMP-DUAC™ POWER CONNECTOR RECEPTACLE HOUSINGS/SOCKET CONTACTS.
- 6 RIBS ON FOUR CORNERS OPTIONAL.
- 7 AMP LOGO AND MATERIAL ID MAY BE LOCATED ON EITHER LONG SIDE OF PART.
- 8 SIZE, SHAPE OR STYLE OF THIS FEATURE MAY VARY.
- 9 CONTACT FINISH: 0.003 MIN THK TIN OVER 0.00127 MIN THK NICKEL OVER ENTIRE CONTACT.
- 10 CONTACT FINISH: 0.00076 MIN THK GOLD PLATE ON PIN MATING SURFACE, 0.003 MIN THK TIN PLATE ON SOLDER TAIL, ALL OVER 0.00127 MIN THK NICKEL BASE PLATE.



RECOMMENDED MOUNTING HOLE PATTERN
 FOR 1.78 MAX THICK P.C. BOARD
 COMPONENT SIDE SHOWN



SUPERCEDED BY 1-794306-2
 SUPERCEDED BY 1-794306-1

1	10	1	1	1-794306-2
1	9	1	1	1-794306-1
1	3	1	1	794306-2
1	2	1	1	794306-1
CONTACT		HOUSING		PART NO
MATERIAL	FINISH	MATERIAL	COLOR	

THIS DRAWING IS A CONTROLLED DOCUMENT.

DIMENSIONS: mm	TOLERANCES UNLESS OTHERWISE SPECIFIED:	DIN R VESTAL 21OCT97	21OCT97	21OCT97	21OCT97	21OCT97	21OCT97
0 PLC ± -	1 PLC ± 0.2	CHK R SWING	21OCT97	APVD F BEILES	21OCT97	NAME	ASSEMBLY, HEADER, VERTICAL, 10 POSITION, W/PEGS, W/DRAIN HOLES, 94V-2, AMP-DUAC
2 PLC ± 0.13	3 PLC ± -	PRODUCT SPEC	108-1699	APPLICATION SPEC		SIZE	A1
4 PLC ± -	ANGLES ± 0.30°	RESTRICTED TO		WEIGHT		SCALE	5:1
MATERIAL SEE TABLE	FINISH SEE TABLE	CUSTOMER DRAWING		SCALE	5:1	SHEET	1 OF 1

tyco Electronics Tyco Electronics Corporation Harrisburg, Pa 17105-3608

00779C=794306